

COMPLIANCE NECESSARY TO MAINTAIN SAFETY

TECHNICAL PORTIONS
FAA APPROVED

- SUBJECT:** Hartzell Engine Technologies (HET) Alert Service Bulletin (ASB) No. 081A
- PURPOSE:** To notify owners, operators, distributors, and maintenance facilities of inspection criteria for affected Hartzell alternators; Continental P/Ns 641668, 641670, and 656802.
- COMPLIANCE:** Compliance may be required prior to further flight. Reference attached Hartzell Engine Technologies (HET) Alert Service Bulletin (ASB) No. 081A.
- MODELS**
- AFFECTED:** New and rebuilt Continental GTSIO-520-C, N; IO-520-B, BA, BB, C, CB; IO-550-A, B, C, G, N, P, R, IOF-550-B, C, N; TSIO-520-B, BB, D, DB, E, EB, NB, UB; TSIO-550-B, C, E, G, J, K, N; TSIOF-550-D, J, K, P and TSIOL-550-B aviation gasoline (AvGas) engines.

Listed Continental engine models may have been equipped with affected Hartzell Engine Technologies alternator models from the Continental factory or as Continental-supplied service spares. Additional Continental engine models may have affected Hartzell Engine Technologies alternator models installed under authority Airplane Type Design, PMA, or STC not controlled by Continental Aerospace Technologies.

I. GENERAL INFORMATION

Hartzell Engine Technologies LLC (HET) has issued Alert Service Bulletin (ASB) No. 081A requiring the inspection of an identified alternator castellated hex-nut shipped between 05 January 2011 and 21 May 2019. Reference Hartzell Engine Technologies Alert Service Bulletin (ASB) No. 081A for the applicable alternators (serial number(s) and shipment date(s)).

Continental Aerospace Technologies™ (Continental®) recommends compliance with HET Alert Service Bulletin (ASB) No. 081A.

II. WARRANTY

Direct all questions regarding the actions required by the attached Alert Service Bulletin to:

Hartzell Engine Technologies LLC
2900 Selma Highway
Montgomery, AL 36108
Phone: +1-334-386-5441
FAX: +1-334-386-5410
E-mail: techsupport@HartzellEngineTech.com

Intentionally Left Blank

ISSUED
2019/11/19

REVISED
--



DOC NO **REVISION**
CSB19-06

PAGE
2 of 2



2900 Selma Highway
Montgomery, AL 36108 USA
Tel: 334-386-5400 Fax: 334-386-5450

ALERT SERVICE BULLETIN

ALERT SERVICE BULLETIN No. 081 Rev. A

Alternator Castellated Hex-Nut Inspection

1. This page transmits the revision of Alert Service Bulletin (ASB) 081 Rev. New to ASB 081 Rev. A, dated September 19, 2019.
 - A. ASB 081 Rev. New, dated August 06, 2019
 - B. ASB 081 Rev. A, dated September 19, 2019
2. FAA approval has been obtained on technical data in this publication that affects type design.
3. Changes are shown by a change bar in the left or right margin coinciding with the change on the affected page.
4. This revision is issued to change the following:
 - A. Correct part number typo, Table 1, Materials Required:
 - (1) Change thrust washer P/N 63097 to 63091 (Table 1, ITM# 3).
 - B. Revise 3.B.2.(c) to reflect change to Figure 4:
 - (1) Change to: Hex-nut (1) is roll-stamped with the letters "**AD**".
 - C. Add task 3.B.(6) for clarification:
 - (1) Inspect drive coupling (4) in accordance with applicable service instructions.
 - D. Change Figure 4 from Machined Groove to Roll-Stamped "**AD**" and update illustration.



2900 Selma Highway
Montgomery, AL 36108 USA
Tel: 334-386-5400 Fax: 334-386-5450

ALERT SERVICE BULLETIN

ALERT SERVICE BULLETIN No. 081 Rev. A

Alternator Castellated Hex-Nut Inspection

1. Planning Information

A. Effectivity

- (1) Plane-Power alternators P/N ALT-9522(R), ALV-9510(R), ALV-9610, ALX-9524(R), C14-100(S), C28-150(S), ES-6024D, and ES-10024 manufactured by Hartzell Engine Technologies (HET) and shipped between 05 January 2011 and 21 May 2019 are affected by this Alert Service Bulletin (ASB).
- (2) Engine model/series affected by this ASB are shown in Table 2.

NOTE: Table 2 is for reference only and is not an all-inclusive list of engines affected by this ASB. It is the responsibility of the owner/operator to verify whether an affected alternator may be installed.

WARNING: DO NOT USE OBSOLETE OR OUTDATED INFORMATION. PERFORM ALL INSPECTIONS OR WORK IN ACCORDANCE WITH THE MOST RECENT REVISION OF THIS SERVICE BULLETIN. INFORMATION CONTAINED HEREIN MAY BE SIGNIFICANTLY CHANGED FROM EARLIER REVISIONS. FAILURE TO COMPLY WITH THIS SERVICE BULLETIN OR THE USE OF OBSOLETE INFORMATION MAY CREATE AN UNSAFE CONDITION THAT MAY RESULT IN DEATH, SERIOUS BODILY INJURY, AND/OR SUBSTANTIAL PROPERTY DAMAGE. REFER TO THE PLANE-POWER WEBSITE, WWW.PLANEPOWER.AERO, FOR THE MOST RECENT REVISION LEVEL OF THIS ALERT SERVICE BULLETIN.

B. Concurrent Requirements

- (1) None

C. Reason

- (1) Alternators listed in section 1.A could contain a castellated hex-nut (1, Figure 1) that does not torque flush with the thrust washer (3). This condition could compromise the integrity of the drive coupling retention system.
 - (a) Loss of drive coupling retention may result in engine damage and/or unexpected loss of engine power.
- (2) This ASB is to advise the field of a known condition and to supply inspection criteria to identify affected alternators.

D. Description

- (1) This Alert Service Bulletin provides Instructions for Continued Airworthiness (ICA).

ALERT SERVICE BULLETIN

ALERT SERVICE BULLETIN No. 081 Rev. A

Alternator Castellated Hex-Nut Inspection

E. Compliance

- (1) **IMMEDIATE:** If a loss of alternator output or erratic output indication occurs during flight, land as soon as practicable. Comply with this ASB prior to further flight.
- (2) Compliance with section 3.A of this ASB is required within fifty (50) hours time-in-service after the effective date of this ASB or at the next scheduled annual inspection, whichever occurs first.
- (3) For affected alternators in inventory, return within 30 days from the original issue date of this Alert Service Bulletin or prior to installation, whichever occurs first.
- (4) Compliance with the Accomplishment Instructions is the terminating action for this ASB.

F. Approval

- (1) FAA acceptance has been obtained on the technical data in this publication that affects type design.

G. Manpower

- (1) Up to one (1) hour labor for alternator removal, inspection, and alternator installation.
- (2) Up to two (2.0) hours labor for alternator removal, inspection, replacement of the castellated hex-nut, and alternator installation.

H. References

- (1) Continental Aerospace Technologies' Manual M-0, *Standard Practice for Spark Ignited Engines*.
- (2) HET Manual P/N OE-A2, *Alternator and Starter Overhaul Manual*, Rev. 08 or later FAA approved revision.
- (3) Applicable Aircraft Service Instructions or Maintenance Manual.
- (4) Applicable Aircraft AFM or POH.
- (5) Continental Aerospace Technologies' Engine Installation & Operation Manual.
- (6) Continental Aerospace Technologies' Engine Maintenance/Overhaul Manual and Service Publications.

I. Weight and Balance

- (1) No Change

2. Materials Required

- A. Refer to Table 1 - Materials Required.

ALERT SERVICE BULLETIN

ALERT SERVICE BULLETIN No. 081 Rev. A

Alternator Castellated Hex-Nut Inspection

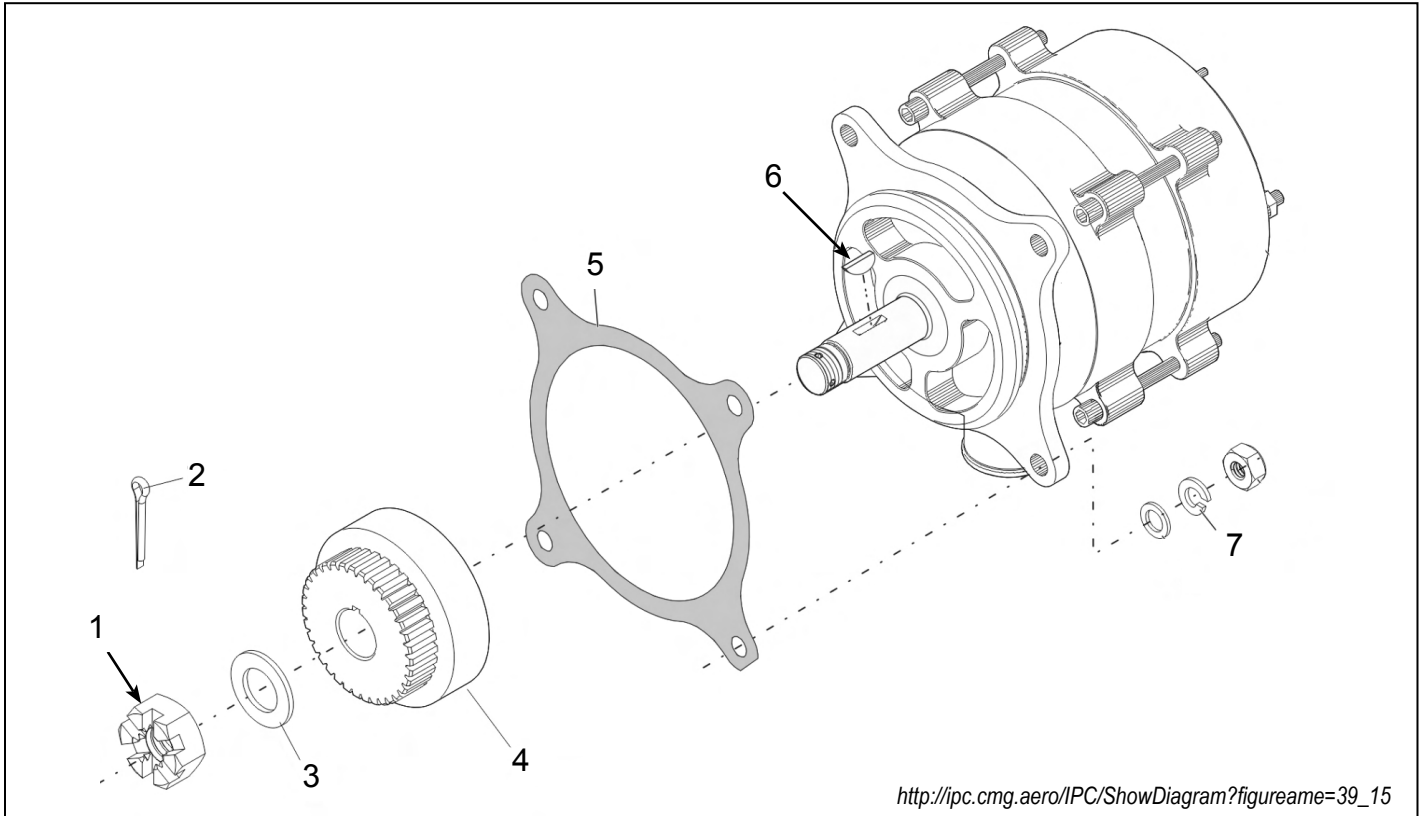


Figure 1 - Alternator, Typical - Continental Aerospace Technologies

ITM #	P/N	Description	Quantity
1	8X-4075	Nut, Castellated Hex [†]	1
2	MS24665-302	Pin, Cotter*	1
3	630691	Washer, Thrust*	1
5	653981	Gasket, Mounting*	1
6	X-0260	Key, Woodruff, #5 [†]	1
7	MS35338-45	Washer, Lock-Spring .3125*	4

* Part numbers are typical, reference current Continental IPC. Parts available from Continental Aerospace Technologies.
[†] Parts available from Hartzell Engine Technologies.

Table 1- Materials Required (Refer to Figure 1)

ALERT SERVICE BULLETIN

ALERT SERVICE BULLETIN No. 081 Rev. A

Alternator Castellated Hex-Nut Inspection

3. Accomplishment Instructions

WARNING 1: THIS PROCEDURE MUST BE PERFORMED BY COMPETENT AND QUALIFIED PERSONNEL WHO ARE FAMILIAR WITH THE AIRFRAME AND ENGINE SYSTEM MAINTENANCE. FAILURE TO DO SO MAY RESULT IN PHYSICAL INJURY, EQUIPMENT DAMAGE AND/OR ECONOMIC LOSS.

WARNING 2: DO NOT USE OBSOLETE OR OUTDATED INFORMATION. PERFORM ALL INSPECTIONS OR WORK IN ACCORDANCE WITH THE MOST RECENT REVISION OF THIS SERVICE BULLETIN. INFORMATION CONTAINED HEREIN MAY BE SIGNIFICANTLY CHANGED FROM EARLIER REVISIONS. FAILURE TO COMPLY WITH THIS SERVICE BULLETIN OR THE USE OF OBSOLETE INFORMATION MAY CREATE AN UNSAFE CONDITION THAT MAY RESULT IN DEATH, SERIOUS BODILY INJURY, AND/OR SUBSTANTIAL PROPERTY DAMAGE. REFER TO THE PLANE-POWER WEBSITE FOR THE MOST RECENT REVISION LEVEL OF THIS ALERT SERVICE BULLETIN, WWW.PLANEPOWER.AERO.

CAUTION: REFER TO THE APPLICABLE MANUFACTURER'S MAINTENANCE MANUALS OR SERVICE INSTRUCTIONS TO GAIN ACCESS TO THE AIRFRAME OR ALTERNATOR. IN ADDITION, ANY PREFLIGHT OR IN-FLIGHT OPERATIONAL CHECKS REQUIRE USE OF THE APPROPRIATE AFM OR POH.

A. Inspection

- (1) If previous compliance cannot be verified through aircraft or engine maintenance records, use the same references to determine if an affected alternator has been installed. Refer to section 1.A, Effectivity.
- (2) If effectivity of the alternator cannot be established using aircraft or engine maintenance records, utilize the applicable aircraft maintenance manual to gain access to the alternator and inspect the alternator part number against the affected part numbers found in section 1.A of this ASB.
 - (a) If the alternator part number is affected per section 1.A, continue to 3.B. - Corrective Action.
 - (b) If the alternator part number is not affected per section 1.A, continue to 3.C. - Return to Service.

ALERT SERVICE BULLETIN

ALERT SERVICE BULLETIN No. 081 Rev. A

Alternator Castellated Hex-Nut Inspection

B. Corrective Action

- (1) Remove the alternator from the engine in accordance with the latest revision of the aircraft and/or engine manufacturer's maintenance manual.
- (2) Inspect castellated hex-nut (1). If one of the following indicators is present, the alternator is in compliance with this ASB. Refer to Figures 3 thru 5.
 - (a) Hex-nut (1) is laser etched with the letter "H";
 - (b) Hex-nut (1) is stamped with a center-punch;
 - (c) Hex-nut (1) is roll-stamped with the letters "AD".
- (3) If any indicator stated above **is not** present, proceed to 3.B.(4). If one of the indicators stated above **is** present, continue to 3.B.(8).
- (4) Using a .002 in. (.0508 mm) feeler-gauge, measure the gap between the nut thrust face and the thrust washer at each of the six hex-nut flats. Refer to Figure 6.

NOTE: **Do Not** remove cotter pin (2) or break torque prior to conducting measurements.

- (a) If the measurement at any nut flat is \geq .002 in. (.0508 mm), continue to 3.B.(5).
- (b) If the measurement at each nut flat is $<$.002 in. (.0508 mm), no corrective action is required.
 - 1) Using an automatic center punch, punch the face of the hex-nut (1) so that it will be easily identified for future reference (Refer to Figure 5). Continue to 3.B.(8).

CAUTION: THE CENTER PUNCH HAS THE POTENTIAL TO SLIP AND DAMAGE THE THREADS OF THE ALTERNATOR ROTOR SHAFT. USE CAUTION WHILE CENTER-PUNCHING THE CASTELLATED HEX-NUT TO AVOID CONTACT WITH THREADS.

- (5) Remove and discard from alternator; cotter pin (2), castellated hex-nut (1), thrust washer (3), and woodruff key (6). Refer to Figure 1.
- (6) Inspect drive coupling (4) in accordance with applicable service instructions.
- (7) Install new replacement components not affected by this ASB onto the alternator in accordance with applicable engine manufacturer's maintenance manual. Refer to Table 1 - Materials Required.

NOTE: Thrust washer (3) must be replaced per Continental Aerospace Technologies' M-0 Manual, *Standard Practice for Spark Ignited Engines*.

ALERT SERVICE BULLETIN

ALERT SERVICE BULLETIN No. 081 Rev. A

Alternator Castellated Hex-Nut Inspection

- (8) Install the alternator onto the engine in accordance with applicable engine manufacturer's maintenance manual.
- (9) Reconnect alternator electrical connections and cooling hardware in accordance with applicable aircraft manufacturer's maintenance manual.

C. Return to Service

- (1) Close all access doors and covers opened to gain access to the alternator in accordance with applicable airframe and/or engine maintenance manual.

D. Maintenance Record

- (1) Make an appropriate logbook entry noting compliance with this Alert Service Bulletin.

4. Contact Information

A. Contact HET Product Support for all communications regarding the technical content of this Service Bulletin.

- (1) Phone +1.334.386.5400 (Option 2)
- (2) Fax +1.334.386.5450
- (3) E-mail at techsupport@HartzellEngineTech.com
- (4) Address

Hartzell Engine Technologies LLC - ATTN: Product Support
2900 Selma Highway
Montgomery, AL 36108
USA

ALERT SERVICE BULLETIN

ALERT SERVICE BULLETIN No. 081 Rev. A

Alternator Castellated Hex-Nut Inspection

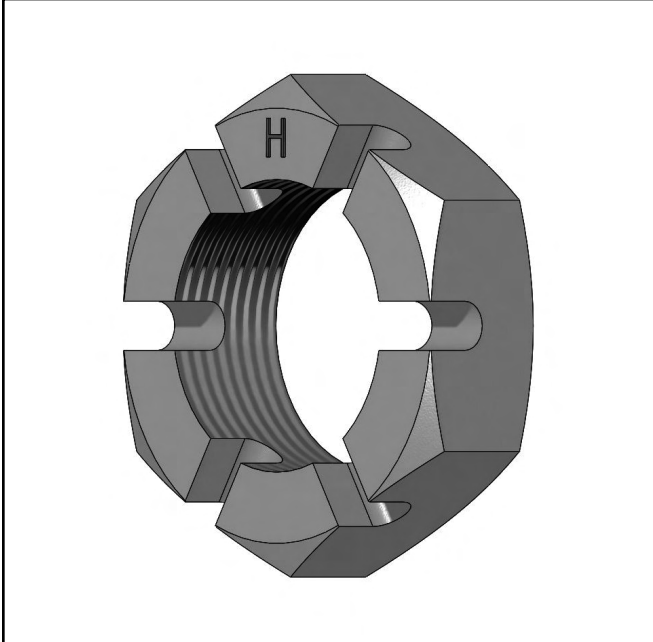


Figure 3 - Laser Etched "H"

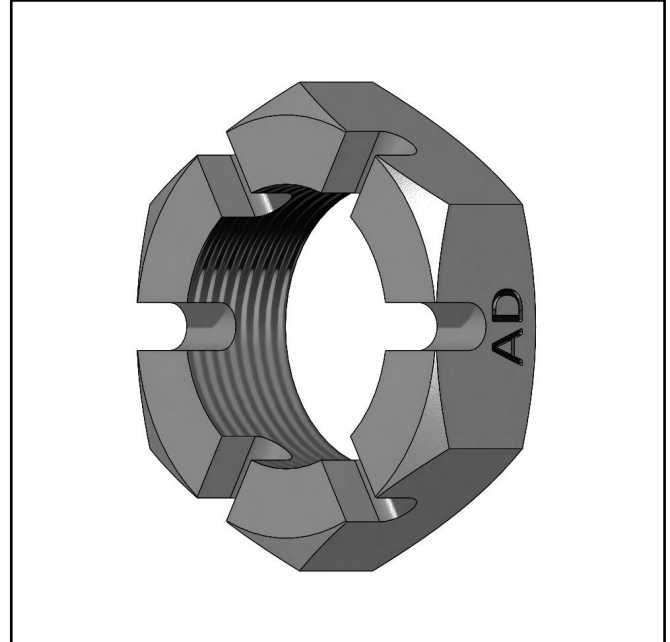


Figure 4 - Roll-Stamped "AD"

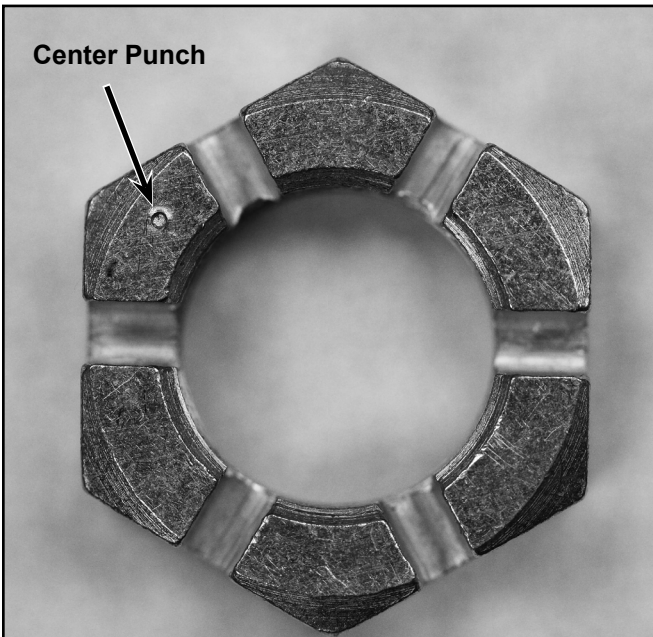


Figure 5 - Center-Punch Mark

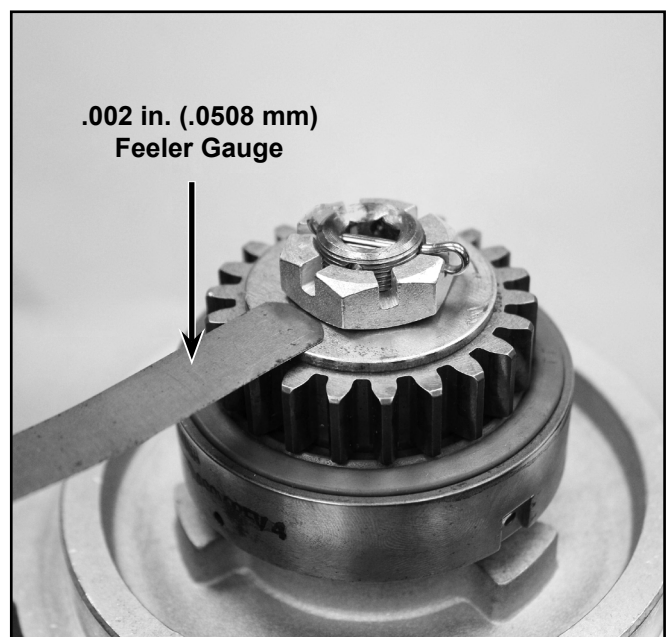


Figure 6 - Gap Measurement

ALERT SERVICE BULLETIN

ALERT SERVICE BULLETIN No. 081 Rev. A

Alternator Castellated Hex-Nut Inspection

Plane-Power Alternator P/N	Continental P/N	Engine Make	Engine Model/Series
ALT-9522 ALT-9522R	641668	Continental	GTSIO-520-C, -D, -F, -G, -H, -K, -L, -M, -N, -R
			IO-520-A, -B, -BA, -BB, -C, -CB, -M, -MB
			IO-550-A, -B, -C, -G, -N, -P, -R
			TSIO-520-B, -BB, -BE, -D, -DB, -E, -EB, -J, -JB, -K, -KB, -L, -LB, -N, -NB, -U, -UB, -VB, -WB
			TSIO-550-A, -B, -C, -E
			TSIOL-550-A, -B, -C
ALV-9510 ALV-9510L ALV-9510R	-	Continental	GTSIO-520-C
			IO-520-A
			TSIO-520-E
ALV-9610	-	Continental	GTSIO-520-C, D, F, G, H, K, L, M, N, R
			IO-520-A, B, BA, BB, C, CB, M, MB
			IO-550-A, B, C, G, N, P, R
			TSIO-520-B, BB, BE, D, DB, E, EB, J, JB, K, KB, L, LB, N, NB, U, UB, VB, WB
			TSIO-550-A, B, C, E
			TSIOL-550-A, B, C
ALX-9524 ALX-9524R	641670	Continental	IO-520-B, -C
C14-100 C14-100S	-	Continental	IO-520-B, -BA, -BB, -C, -CB
			IO-550-A, -B, -G, -N, -P, -R
			IOF-550-B, -C
			TSIO-520-D, -DB, -NB
			TSIO-550-B, -C, -E
			TSIOL-550-B

Table 2 - Alternator / Engine Effectivity (Cont'd→)

ALERT SERVICE BULLETIN

ALERT SERVICE BULLETIN No. 081 Rev. A

Alternator Castellated Hex-Nut Inspection

Plane-Power Alternator P/N	Continental P/N	Engine Make	Engine Model/Series
C28-150 C28-150S	-	Continental	GTSIO-520-C, -D, -E, -F, -H, -K, -L, -M, -N
			IO-520-B, -BA, -BB, -C, -CB, -M, MB, -N, -NB
			IO-550-A, -B, -C, -G, -N, -P, -R
			IOF-550-B, -C, -N, -P, -R
			TSIO-520-B, -BB, -BE, -D, -DB, -E, -EB, -J, -JB, -K, -KB, -L, -LB, -N, -U, -NB, -UB, -VB, -WB
			TSIO-550-A, -B, -C, -E, -G, -K
			TSIOF-550-D, -J, -K
			TSIOL-550-A, -B, -C
ES-6024D	-	Continental	GTISO-520-C, -D, -H, -K, -L, -M, -N
			IO-520-B, -BA, -BB, -C, -CB, -M, -MB
			IO-550-A, -B, -C, -G, -N, -P, -R
			TSIO-520-B, -BB, -BE, -D, -DB, -E, -EB, -J, -JB, -K, -KB, -L, -LB, -N, -NB, -U, -UB, -VB, -WB
			TSIO-550-A, -B, -C, -E
ES-10024	656802	Continental	IO-550-A, -B, -C, -D, -E, -F, -G, -L, -N, -P, -R
			IOF-550-B, -C, -D, -E, -F, -L, -N, -P, -R

(Cont'd) **Table 2 - Alternator / Engine Effectivity**

Alert Service Bulletin Appendix

Alert Service Bulletin No. 081 Rev. A

Alternator Castellated Hex-Nut Inspection

1. Eligibility:

- A. Plane-Power alternators P/N ALT-9522(R), ALV-9510(R), ALV-9610, ALX-9524(R), C14-100(S), C28-150(S), ES-6024D, and ES-10024 manufactured by Hartzell Engine Technologies (HET) and shipped between 05 January 2011 and 21 May 2019 are affected by Alert Service Bulletin (ASB) 081 Rev. A.
 - (1) Engine model/series affected are shown in Table 2 of ASB 081 Rev. A.

2. Commercial Assistance Program:

The following will be provided with the submission of a completed ASB 081 Claim Form, copies of invoices showing breakdown of material and labor charges, and log book entries. **Any commercial assistance or other consideration shall expire twelve (12) calendar months from the original published date of Alert Service Bulletin No. 081 Rev. A.**

- A. Required material listed in section 2 of ASB 081 Rev. A.
- B. Labor for inspection, removal, & installation compliance with ASB 081 Rev. A on affected alternator will be paid at a shop rate of \$75 an hour up to the amount specified below:
 - (1) Up to one (1.0) man-hour of labor is needed for removal, inspection, and installation of the alternator if replacement of castellated hex-nut **is not** required.
 - (2) Up to two (2.0) man-hours of labor are needed for removal, inspection, and installation of the alternator if replacement of castellated hex-nut **is** required.

3. Commercial Assistance ADMINISTRATION:

- A. Complete the Service Bulletin ASB 081 Claim Form attached to this appendix.
 - (1) Mail, e-mail, or fax the ASB 081 Claim Form to the attention of Product Support as indicated on the Alert Service Bulletin Claim Form.
- B. Upon receipt of the Alert Service Bulletin Claim Form, Hartzell Engine Technologies LLC HET will:
 - (1) Ship the required material in accordance with section 2 (HET parts) to the service provider indicated.
 - (2) The service provider must return proof of service within thirty (30) days or the service provider shall be invoiced for the HET supplied materials.
- C. For labor and Continental Aerospace Technologies' parts listed in section 2:
 - (1) Aircraft/engine service facility or owner must submit an invoice up to the amount specified in section 2, copies of logbook entries, and a completed ASB 081 Claim Form for reimbursement (*May be a copy of the original form provided*).

Alert Service Bulletin Appendix

Alert Service Bulletin No. 081 Rev. A

Alternator Castellated Hex-Nut Inspection

4. WARRANTY STATEMENT:

- A The sole warranty for the actions of ASB 081 Rev. A are contained in the HET Limited Warranty Policy issued with the purchase of each new/overhauled alternators (see terms and conditions therein).
- B. Commercial assistance may apply as stated in this Appendix.
- C. Issuance of ASB 081 Rev. A in no way constitutes an implied or expressed warranty of any kind.
- D. This publication does not imply or state any responsibility for the workmanship of any person or entity performing work or maintenance on the engine or aircraft electrical system.

5. CONTACT INFORMATION:

- A. Contact HET Product Support for all communications regarding the technical content of this Service Bulletin.
 - (1) Phone +1.334.386.5400 (Option 2)
 - (2) Fax +1.334.386.5410.
 - (3) E-mail at techsupport@HartzellEngineTech.com.
 - (4) Address
Hartzell Engine Technologies LLC
2900 Selma Highway,
Montgomery, AL 36108
USA

Alert Service Bulletin Appendix

Alert Service Bulletin No. 081 Rev. A

Alternator Castellated Hex-Nut Inspection

ASB 081 CLAIM FORM

Owner information

Name: _____ Date: _____ Tel: _____ Fax: _____
Company Name: _____ E-mail: _____
Address: _____
City: _____ State: _____ Postal Code: _____
Country: _____

Aircraft/Engine Service Facility information

Name: _____ Date: _____ Tel: _____ Fax: _____
Company Name: _____ E-mail: _____
Address: _____
City: _____ State: _____ Postal Code: _____
Country: _____
Aircraft Mfg: _____ Model: _____ Time in Service: _____ S/N: _____
Engine: _____ Model: _____ Time in Service: _____ S/N: _____

Component Information

Nomenclature: Alternator _____ Part Number: _____
Serial Number: _____ (Alternator) Date Removed: _____
Part Time in Service: _____ (Alternator) Original Date Installed: _____

For RMA Number

Send this ASB 081 Claim Form to:

Hartzell Engine Technologies Product Support
Fax: +1.334.386.5410
E-mail: techsupport@hartzellenginetech.com

RMA Number:

(write in HET assigned RMA number)

Hartzell Use Only - do not write below this line.

Warranty No: _____ Authorized by: _____

